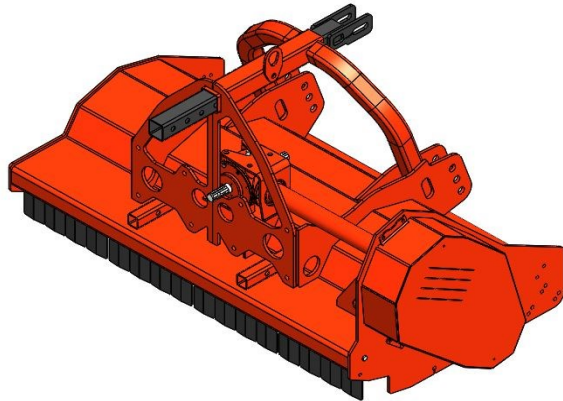


## PULVERISER FRONT

## KL 135

### standard machine




- \* low profile design front mounted
- \*  $\varnothing$  180 mm rotor tube with shaft ends  $\varnothing$  50 mm
- \* outside diameter flails 440 mm
- \* high speed rotor
- \* chassis 6/10 mm with internal counter hooks
- \* automatic belt tensioner
- \* 4 or 5 V-belts SPB section depending on cutting size
- \* fix 3-point linkage cat II ,  $\varnothing$  28/25 mm
- \* gearbox 540 rpm with double PTO entrance
- \* heavy duty flail 2,2 kg with fixing bolt M20
- \* included drive-shaft
- \* rear roller  $\varnothing$  140 mm

different models available

art. nr.	type-model	cutting cm	total width cm	flails #	V-belts #	weight kg	price €
160-035-140	<b>KL140-135</b>	145	165	10	3		
160-035-160	<b>KL160-135</b>	165	185	10	4		
160-035-180	<b>KL180-135</b>	185	205	12	4		
160-035-200	<b>KL200-135</b>	205	230	12	5		

### options

160-095-001	1	skids				
160-095-002	2	1000 rpm instead of 540 rpm				
160-095-005	4	rear roller $\varnothing$ 220				